

Supports P-series

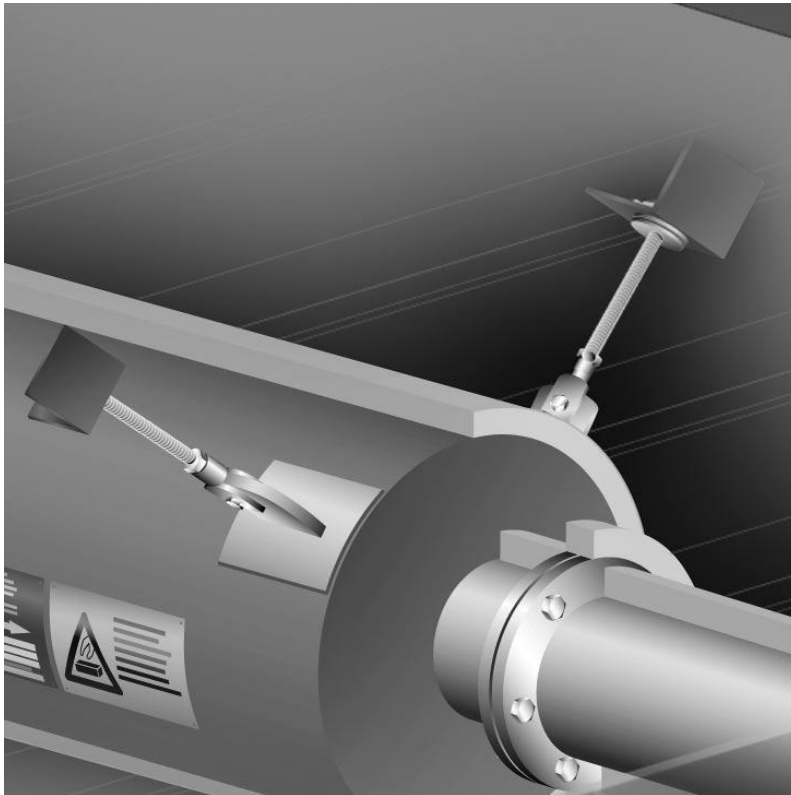
Application

The function of the pivot points is to absorb the deadweight of the exhaust system. The pivot points are specifically designed to absorb extension.

Technical data

Usually supports of the P-series of various types and for various loads are available from stock. Within the vast assortment it is virtually always possible to find the right support you need, suitable for loads varying from 110 to 10,000 N per pivot point.

All pivot points are supplied with tear off safety. Long threaded rods are fitted to prevent heat transfer from the hot system to the rubber vibration absorbers. The minimum lengths of these rods are listed in the dimensions chart. Some compression is necessary for optimal operation of the vibration absorbers. It is therefore recommend to select support points for the permanent allowable load.



Mounting

The pivot points must be mounted in such a way, that the threaded rods are under tensile load. The extension must be absorbed in the direction of the hinge of the fastening lip. The number of supports to be fitted depends on type and purpose.

Pivot point

- On the silencer or pipe at the location of the supports a double plate must be fitted.
- The supports and the foundation where the pivot points are fitted must be as rigid as possible.

