

Supports H-series

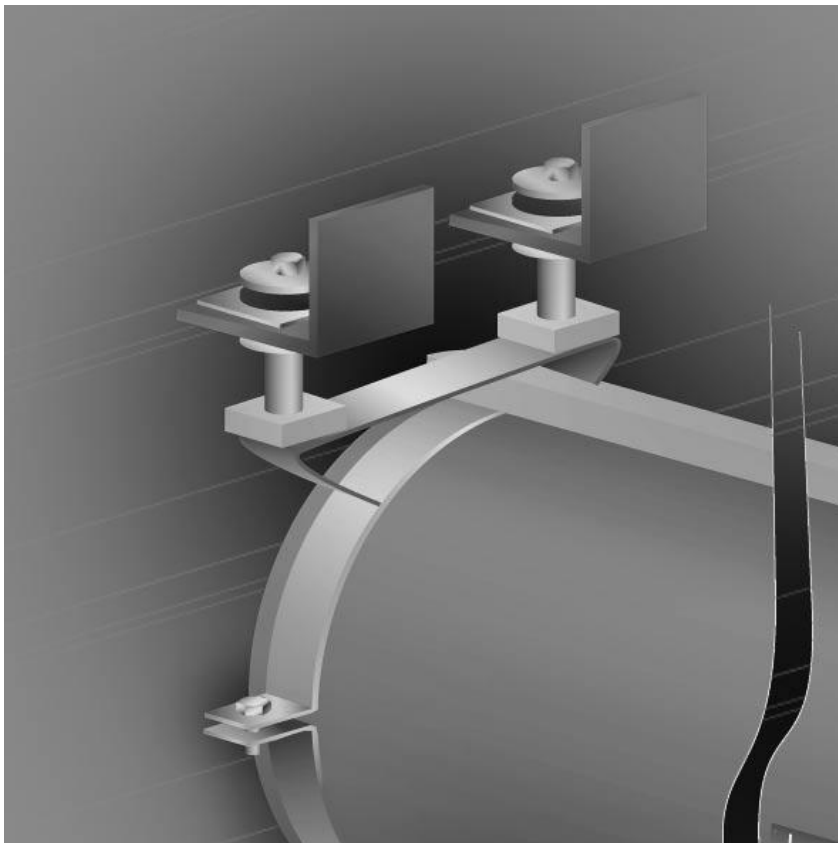
Application

The function of the fixed suspension points is to absorb the deadweight of the exhaust system and to keep it in place. They absorb horizontal and vertical forces but cannot absorb extension.

Technical data

Usually suspension points of the H-series of various types and for various loads are available from stock. Within the vast assortment it is virtually always possible to find the right support you need, suitable for loads varying from 110 to 10,000 N per support point.

All supports are supplied with tear off safety. Thermal insulation blocks are mounted to prevent heat transfer from the hot system to the rubber vibration absorbers. Some compression is necessary for optimal operation of the vibration absorbers. It is therefore recommended to select support points for the permanent allowable load.



Mounting

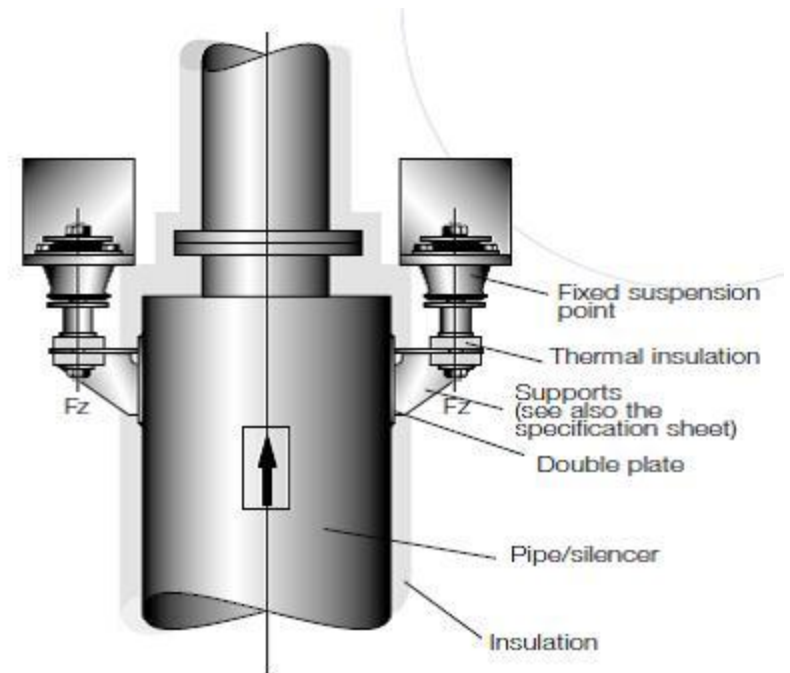
The fixed suspension points must be mounted in such a way, that the forces are absorbed in vertical direction. The number of fixed suspension points to be fitted depends on type and purpose.

Mounting principle: vertical set-up

Fixed support point

Remarks

- On the silencer or pipe at the location of the supports a double plate must be fitted.
- The supports and the foundation where the suspension points are fitted must be as rigid as possible.



Mounting principle: horizontal set-up

Fixed support point

