

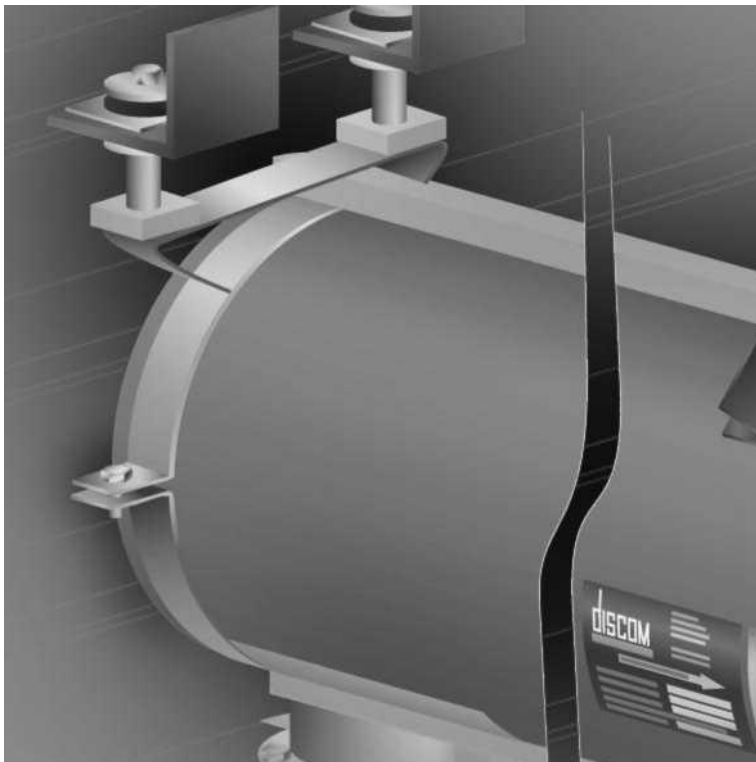
[

# Mounting brackets

*for standard silencer*

For a considerable part of our standard silencers, mounting brackets for easy mounting are available.

The material of these mounting brackets is in accordance with the silencer to be mounted. They consist of 2 pieces of semi-cap brackets, bolts and nuts.



\*sample mounting bracket

## **Mounting**

The mounting brackets are easy to mount due to the clamping construction. If needed auxiliary constructions may be welded to the brackets.

### Dimensions

Type	∅ silencer (mm)	A (MM)	C (mm)	D
MB 25	257	360	40x6	M12
MB 30	306	400	40x6	M12
MB 36	356	450	40x6	M12
MB 40	406	490	40x6	M12
MB 48	486	570	40x6	M12
MB 56	560	650	40x6	M12

