

Bulkhead penetration

Discom has a series of watertight bulkhead penetrations which are delivered as complete sets, with no need for drilling or burning through plates. All that remains is to burn a hole in the bulkhead, lead the pipes through and fix by welding.

When leading exhaust pipes through bulkheads, a direct connection must be avoided to prevent the transfer of heat and vibrations (noise) to the construction. This can be safely done by applying bulkhead penetrations of type SDV.

We can usually deliver these from stock in the nominal diameters 050 to 500.

In somewhat adapted from these penetrations can be applied to stationary situations, e.g. buildings, as well.

Our deck and bulkhead penetrations permit free extension of pipes and limit noise transfer to minimum values. The use of thermal insulators also minimises the transfer of temperature to the structure.

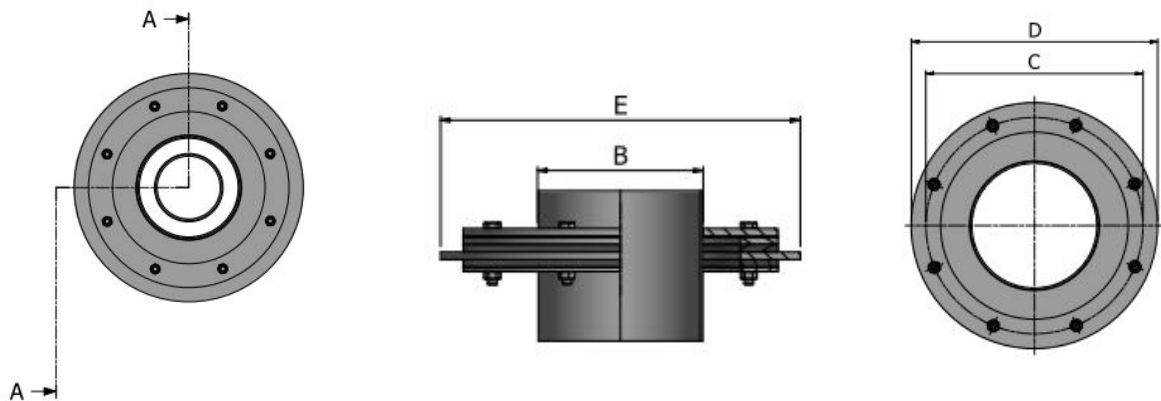


Technical data

- Material: S235 JR (welding rings)

Dimensions

ND (Nominal penetration)	A (mm) (ext. pipe diameter)	B diameter (mm)	C diameter (mm)	D diameter (mm)	E diameter (mm)	F	Hole in bulkhead (mm)
050	60.3	160	200	240	300	8	280
065	76.1	160	200	240	300	8	280
080	88.9	160	200	240	300	8	280
100	114.3	230	270	310	370	8	350
125	139.7	230	270	310	370	8	350
150	168.3	230	270	310	370	8	350
200	219.1	320	370	420	480	8	460
250	273.0	370	420	470	530	8	510
300	323.9	445	495	545	605	12	585
350	355.6	445	495	545	605	12	585
400	406.4	500	550	600	660	12	640
450	457.2	550	600	650	710	12	690
500	508.0	600	650	700	760	12	740



Assembly

It is very easy to assemble the bulkhead penetrations. You only need to burn a hole in the bulkhead based on the size in the table above. Before welding, we advise that you remove the gasket, insulation ring and rubber rings.