

Silencers of type L25 are specifically designed for applications with critical noise demands, especially for low frequencies. These silencers can be applied for exhaust as well as inlet damping for 2 and 4 stroke internal combustion engines. They are based on the reflection principle and are often applied as a single silencer for 1, 2 and 3 cylinder engines.

Very good sound reduction across the entire frequency range is possible in combination with an absorption silencer of type HM or HXM. Many such combinations are found in bow screw installations, (emergency) diesel generating sets, combined heat and power installations and others. Because of their frequent use, they are usually available from stock.

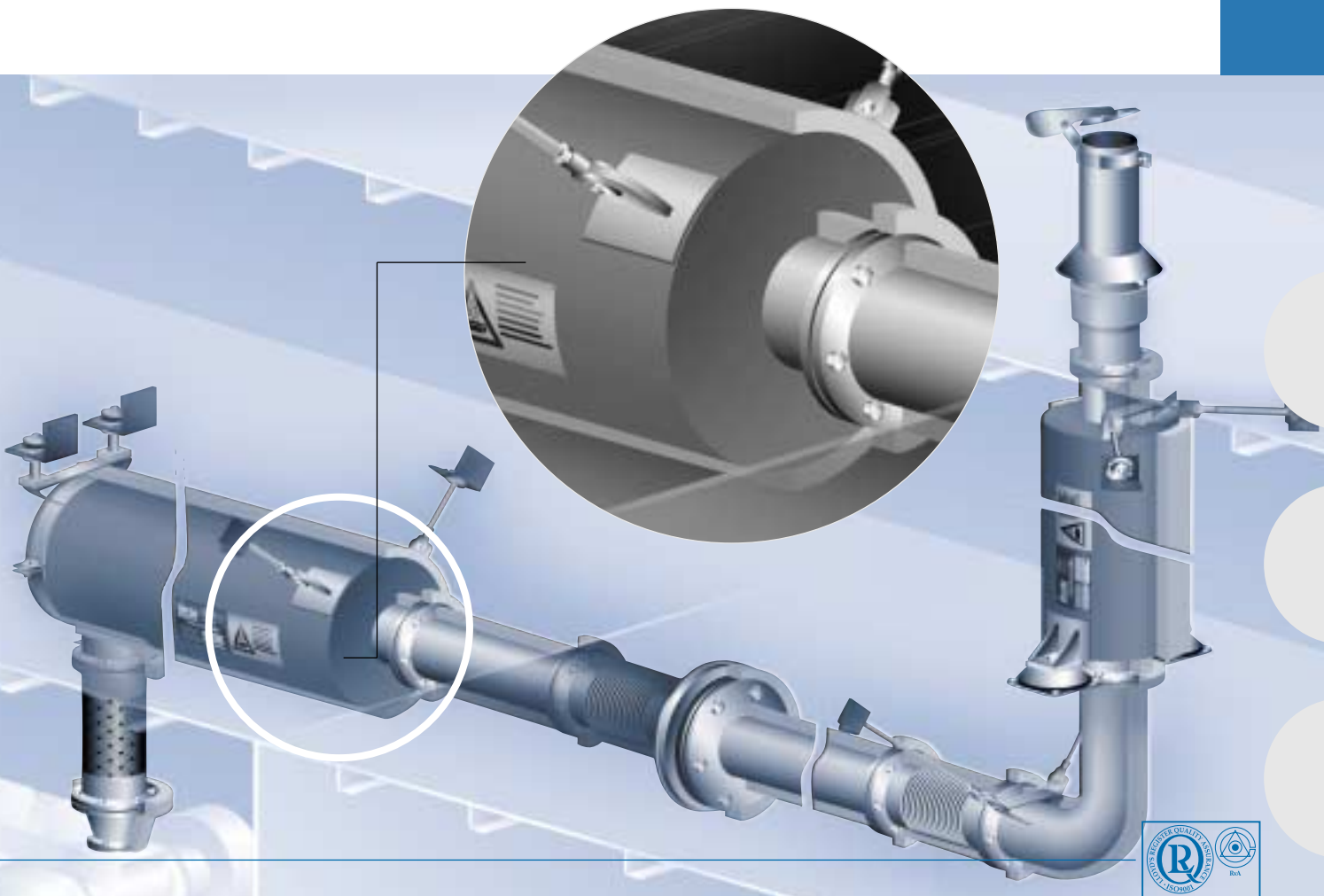
Mounting

L25 silencers may be mounted in any position, considering of course the indicated direction of flow. By use of our supports and mounting brackets easy fitting of the silencers is possible.

Note! Exhaust systems of internal combustion engines are subject to pulsations and other vibration phenomena, therefore it is recommended to mount the entire exhaust system free from such vibrations, by applying suitable vibration isolators. As we are exhaust system specialists, we of course can provide a complete program of vibration absorbers and expert advice by our engineers.

Quality and safety

Our manufacturing process from design to delivery is in conformity with the ISO 9001:2000 standard, for which we have been certified. Our silencers are built-in components, therefore no CE marking applies. However in the description of your final product you will have to indicate potential dangers, for example risk of burns. Therefore we have put a label on your silencer in advance.



Silencer type L25

Technical specifications

Attenuation	15-20 dB
Recommended designed gas flow	20-40 m/s
Pressure drop silencer	see CW-values in the following chart
Maximum allowable gas temperature	600°C: applies to S 235 JR G2. For other temperatures / materials please ask for our advice.
Material	S 235 JR G2; Stainless-steel, Corten or others are optional
Preservation	anticorrosive heat-resistant coating (gray): for other paint systems please ask for our advice.
Insulation	as the body virtually will take the temperature of the medium, in many cases lagging will be necessary. Additional insulation may be needed when noise breakout of the body is a decisive factor for achieving the noise demand.
Flanges	drilled according to DIN 2573 PN6. Other flange models on request
Identification	plate with silencer type and order number
Options	single or double inlet, radial in- and/or outlet positions, mounting supports, condensation drain, QAQC planning and/or certificates, integrated catalytic converter

Dimensions

	NB (nominal bore)	A (mm) outer pipe diameter	B (mm)	C (mm)	D (mm)	E (mm)	F (mm)	Weight (kg)	CW
	40	1 1/2"	48.3	206	775	640	50	11	3.58
	50	2"	60.3	206	775	640	50	12	3.27
	65	2 1/2"	76.2	256	900	770	75	19	3.52
	80	3"	88.9	306	900	780	75	27	3.22
	100	4"	114.3	356	1500	1270	100	48	3.34
	125	5"	139.7	401	1500	1275	100	63	3.56
	150	6"	168.3	482	1750	1506	100	118	2.94
	200	8"	219.1	558	2000	1756	150	161	3.34
	250	10"	273.0	658	2500	2256	150	234	3.63
	300	12"	323.9	758	2750	2510	150	334	2.64
	350	14"	355.6	908	3250	3010	150	408	3.62
	400	16"	406.4	962	3500	3260	150	478	2.69
	450	18"	457.2	1062	3750	3512	150	700	3.71
	500	20"	508.0	1212	4000	3762	150	792	3.07

For standard dimensions see above chart; larger or other dimensions available on request.

